

Volume Controls

FOR OWI SELF-AMPLIFIED SPEAKERS



Models:

AMP-STVC (Stereo)

AMP-MOVC (Mono)

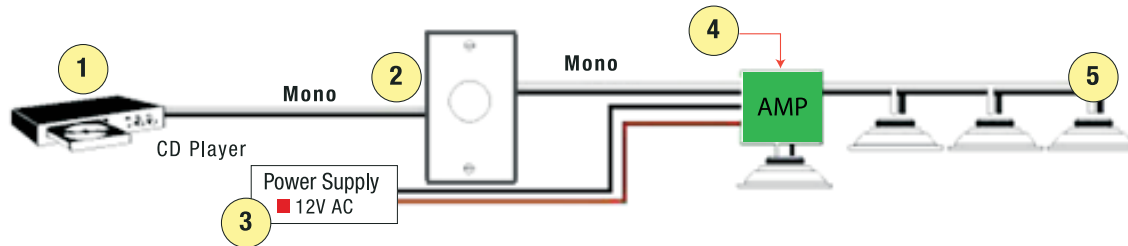
- High Quality Line Level Volume Control
- Fits Perfectly into a Single Gang Electrical Box
- Perfect Accessory to the OWI Self-amplified speakers
- Wall mounted
- With Silencer feature
- Available in White or Brushed Steel



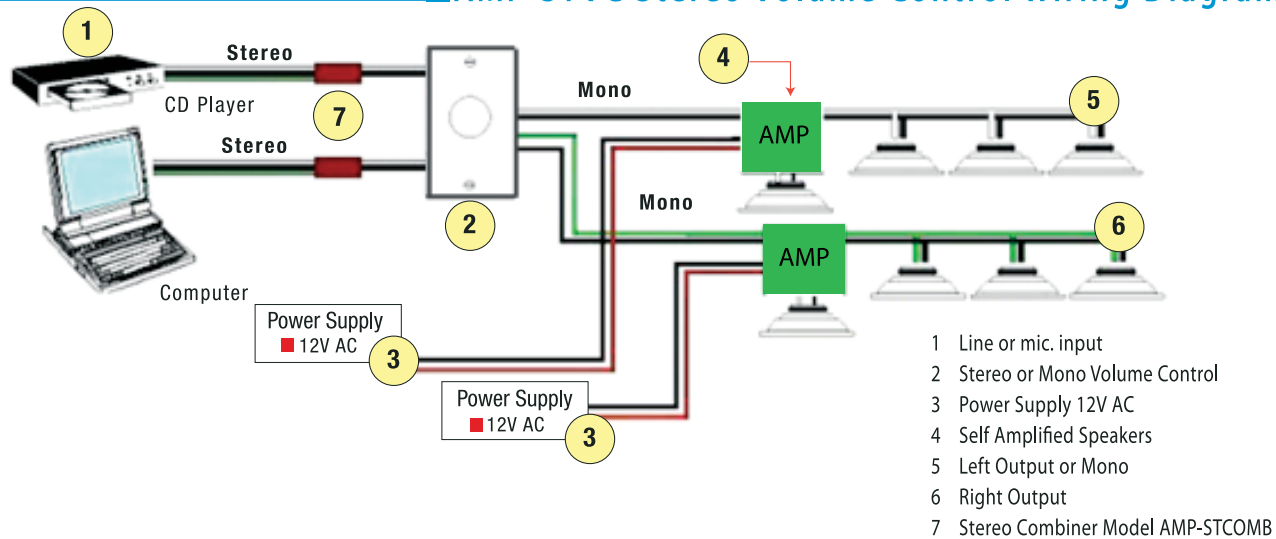
Volume Control Mono and Stereo for OWI Self-Amplified Speakers

MODEL: AMP-MOVC | AMP-STVC

AMP-MOVC Mono Volume Control Wiring Diagram



AMP-STVC Stereo Volume Control Wiring Diagram



- 1 Line or mic. input
- 2 Stereo or Mono Volume Control
- 3 Power Supply 12V AC
- 4 Self Amplified Speakers
- 5 Left Output or Mono
- 6 Right Output
- 7 Stereo Combiner Model AMP-STCOMB

GENERAL SPECIFICATIONS:

Size	Single Gang Electrical Box
Model	AMP-MOVC (Mono Volume Control) AMP-STVC (Stereo Volume Control)
Volume Control	10K Ohm impedance
Mounting	Via volume threaded shaft
Attenuation	60dB
Loss at full volume	0dB
Compatible to	OWI-AMP-IC5, AMP-IC6, AMP-3IC6 and AMP-04TRP
Wiring Configuration	Balanced or Single ended. Cable length is limited single ended
Shielding	Multiple Steel wrap
Warranty	1 year



OWI Incorporated

17141 Kingsview Avenue
 Carson, CA 90746 USA
 ph. 310.515.1900 | 800.638.1694
 fx. 310.515.1606 | e. info@owi-inc.com
 www.owi-inc.com